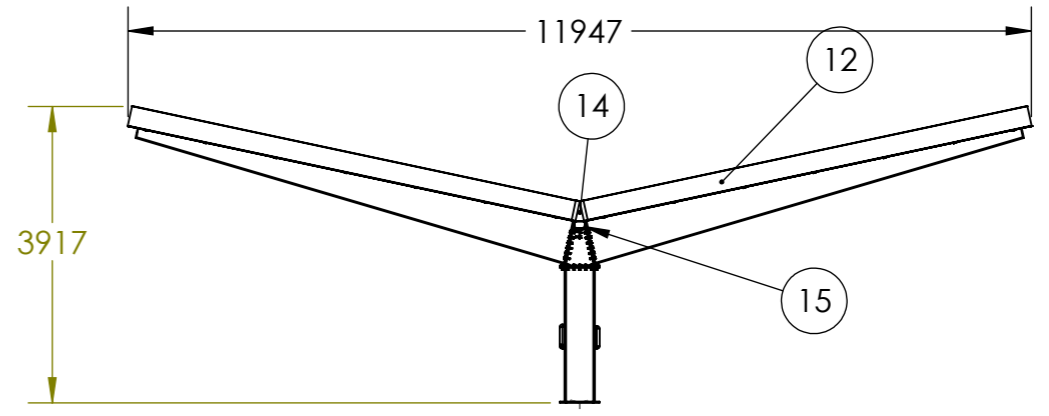
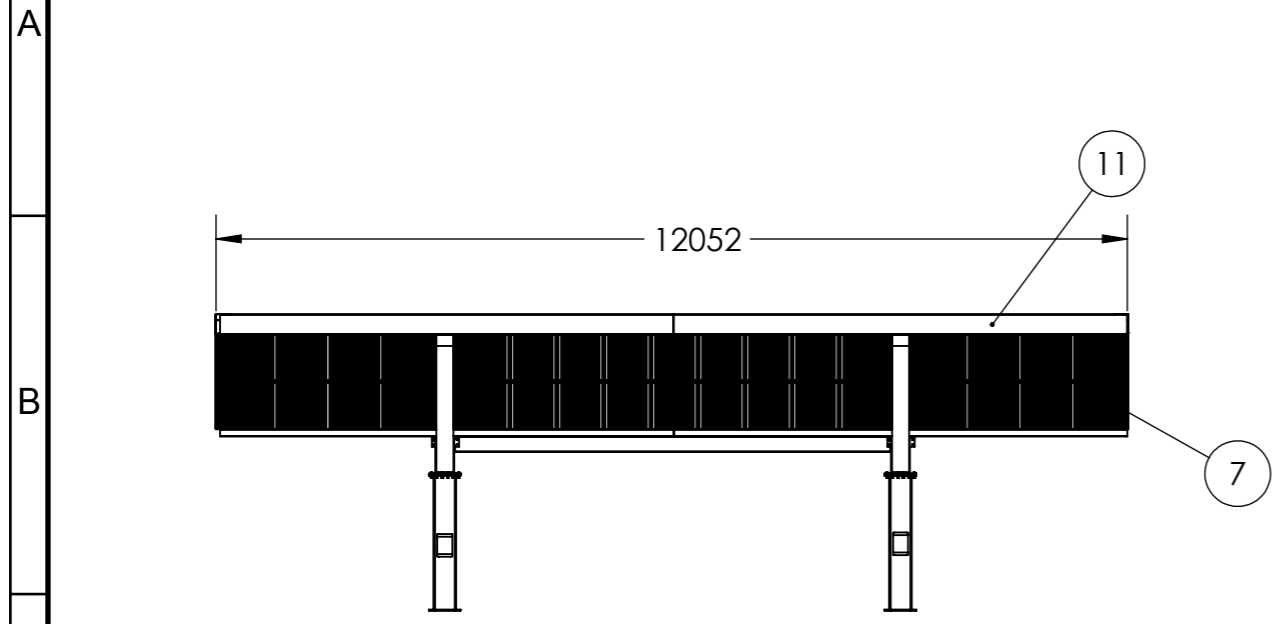


REVISIONS				
ZONE	REV.	DESCRIPTION	DATE	APPROVED
	B	SHEET 5 ADDED FOR DRAINAGE	6/04/2017	

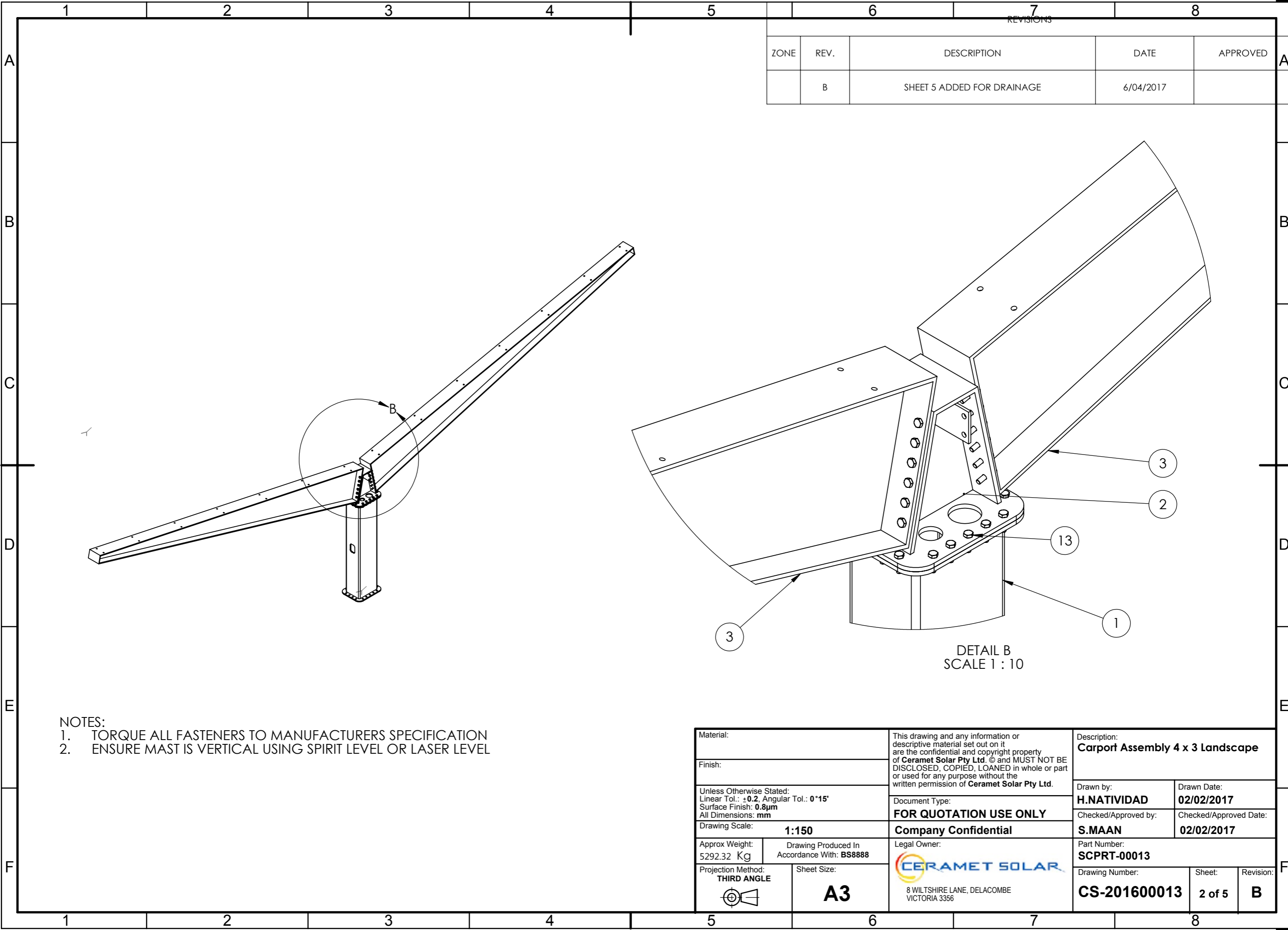


ITEM NO.	PART NUMBER	QTY.
1	SCPRT-00001 Main support 4x3	2
2	SCPRT-00003 Angle Piece 4x3	2
3	SCPRT-00022 Wing 4x3 Landscape	4
4	Tindo Karra 260	84
5	SCPRT-00009 Purlin C20012 4x3	28
6	SCPRT-00025 Facia Cover 4x3 Landscape	8
7	SCPRT-00024 Colorbond roof 4x3 Landscape	68
8	SCPRT-00004 Box Guter	2
9	SCPRT-00027 Panel Support 4x3 Landscape	28
10	SCPRT-00029 Gutter Support Purlin	1
11	SCPRT-00031 Flashing	4
12	SCPRT-00032 Flashing Side	4
13	AS-NZS 1252 - M16 x 60-N	149
14	SCPRT-00033 Flashing Centre Cap	2
15	SCPRT-00030 Box Guter End Cap	2
16	Charger	4
17	SCPRT-00034 Bracket - Purlin Support	28



NOTES:  
 1. APPROVED ENGINEERING DRAWING TO OVER RULE ANY ITEM IN DISPUTE BETWEEN THIS DRAWING AND THE APPROVED ENGINEERING DRAWING

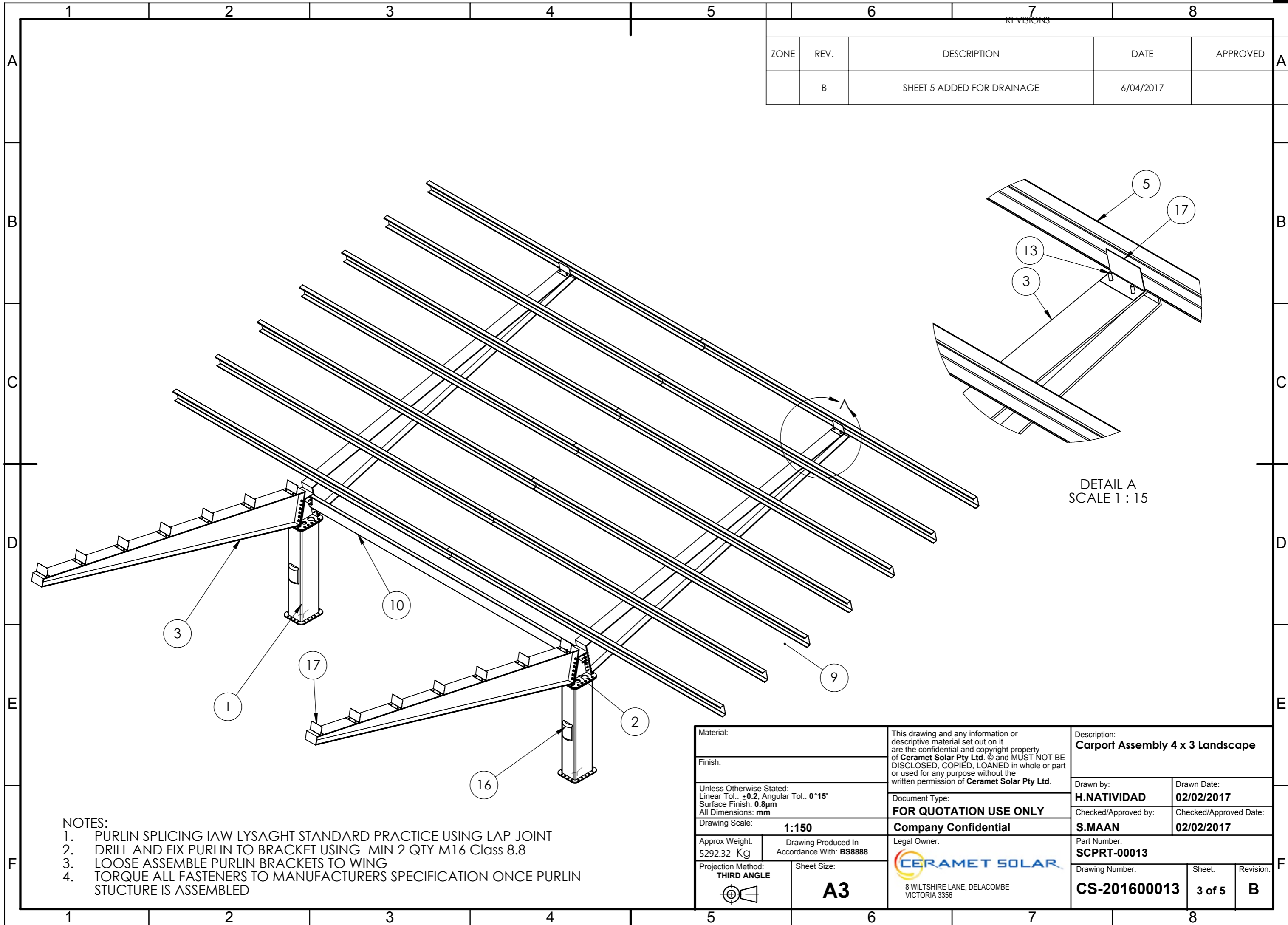
Material:	This drawing and any information or descriptive material set out on it are the confidential and copyright property of <b>Ceramet Solar Pty Ltd.</b> © and MUST NOT BE DISCLOSED, COPIED, LOANED in whole or part or used for any purpose without the written permission of <b>Ceramet Solar Pty Ltd.</b>	Description: <b>Carpport Assembly 4 x 3 Landscape</b>	
Finish:		Drawn by: <b>H.NATIVIDAD</b>	Drawn Date: <b>02/02/2017</b>
Unless Otherwise Stated: Linear Tol.: ±0.2, Angular Tol.: 0°15' Surface Finish: 0.8µm All Dimensions: mm	Document Type: <b>FOR QUOTATION USE ONLY</b>	Checked/Approved by: <b>S.MAAN</b>	Checked/Approved Date: <b>02/02/2017</b>
Drawing Scale: <b>1:150</b>	<b>Company Confidential</b>	Part Number: <b>SCPRT-00013</b>	
Approx Weight: 5292.32 Kg	Drawing Produced In Accordance With: <b>BS8888</b>	Legal Owner: <b>CERAMET SOLAR</b> 8 WILTSHIRE LANE, DELACOMBE VICTORIA 3356	
Projection Method: <b>THIRD ANGLE</b>	Sheet Size: <b>A3</b>	Drawing Number: <b>CS-201600013</b>	Sheet: <b>1 of 5</b>
		Revision: <b>B</b>	



REVISIONS				
ZONE	REV.	DESCRIPTION	DATE	APPROVED
	B	SHEET 5 ADDED FOR DRAINAGE	6/04/2017	

- NOTES:
- TORQUE ALL FASTENERS TO MANUFACTURERS SPECIFICATION
  - ENSURE MAST IS VERTICAL USING SPIRIT LEVEL OR LASER LEVEL

Material:		This drawing and any information or descriptive material set out on it are the confidential and copyright property of <b>Ceramet Solar Pty Ltd.</b> © and MUST NOT BE DISCLOSED, COPIED, LOANED in whole or part or used for any purpose without the written permission of <b>Ceramet Solar Pty Ltd.</b>	Description: <b>Carport Assembly 4 x 3 Landscape</b>	
Finish:			Drawn by: <b>H.NATIVIDAD</b>	Drawn Date: <b>02/02/2017</b>
Unless Otherwise Stated: Linear Tol.: ±0.2, Angular Tol.: 0°15' Surface Finish: 0.8µm All Dimensions: mm		Document Type: <b>FOR QUOTATION USE ONLY</b>	Checked/Approved by: <b>S.MAAN</b>	Checked/Approved Date: <b>02/02/2017</b>
Drawing Scale: <b>1:150</b>		<b>Company Confidential</b>	Part Number: <b>SCPRT-00013</b>	
Approx Weight: 5292.32 Kg	Drawing Produced In Accordance With: <b>BS8888</b>	Legal Owner: <b>CERAMET SOLAR</b> 8 WILTSHIRE LANE, DELACOMBE VICTORIA 3356	Drawing Number: <b>CS-201600013</b>	
Projection Method: <b>THIRD ANGLE</b>	Sheet Size: <b>A3</b>		Sheet: <b>2 of 5</b>	Revision: <b>B</b>

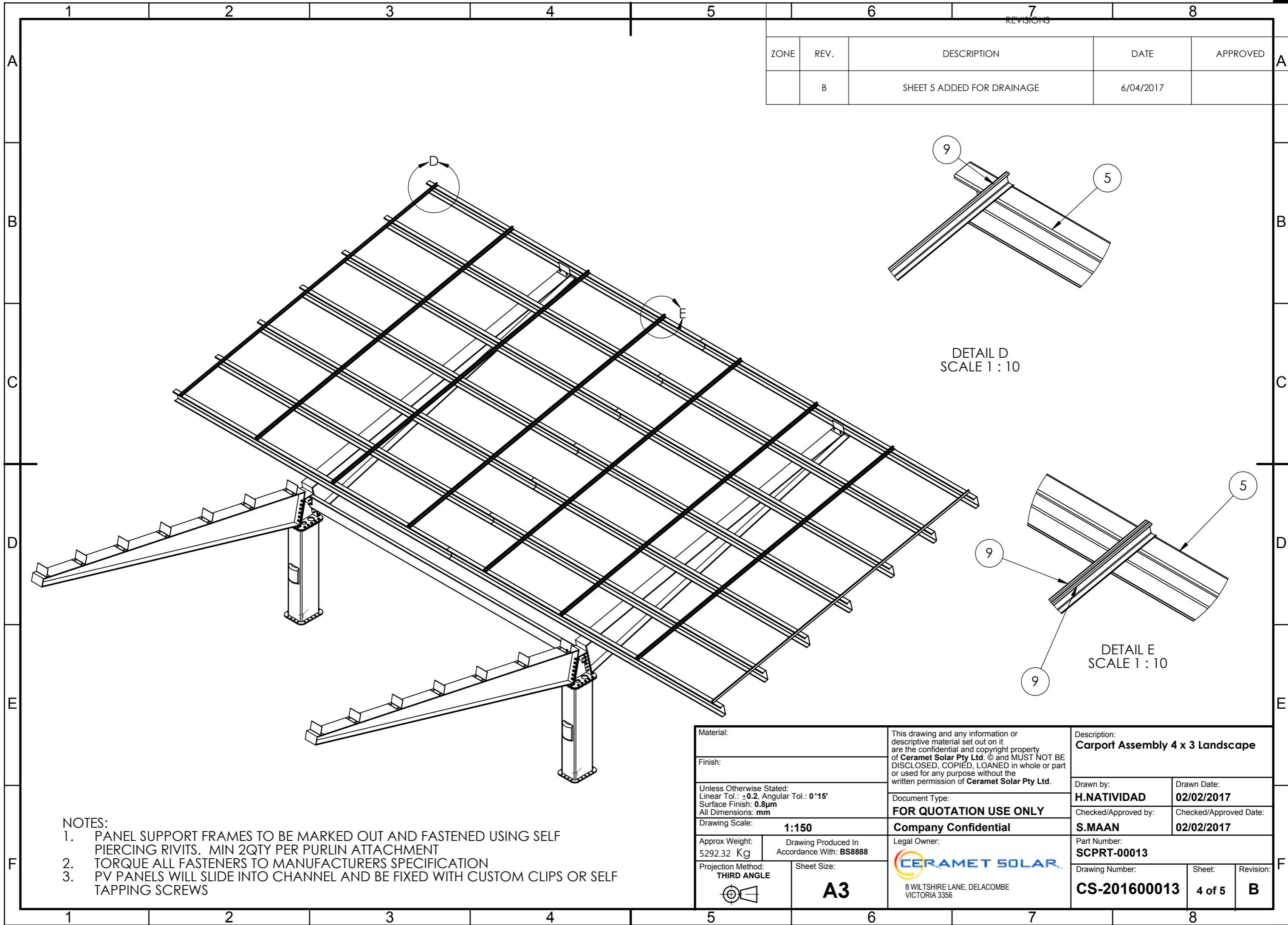


REVISIONS				
ZONE	REV.	DESCRIPTION	DATE	APPROVED
	B	SHEET 5 ADDED FOR DRAINAGE	6/04/2017	

- NOTES:
1. PURLIN SPLICING IAW LYSAGHT STANDARD PRACTICE USING LAP JOINT
  2. DRILL AND FIX PURLIN TO BRACKET USING MIN 2 QTY M16 Class 8.8
  3. LOOSE ASSEMBLE PURLIN BRACKETS TO WING
  4. TORQUE ALL FASTENERS TO MANUFACTURERS SPECIFICATION ONCE PURLIN STUCTURE IS ASSEMBLED

DETAIL A  
SCALE 1 : 15

Material:		This drawing and any information or descriptive material set out on it are the confidential and copyright property of <b>Ceramet Solar Pty Ltd.</b> © and MUST NOT BE DISCLOSED, COPIED, LOANED in whole or part or used for any purpose without the written permission of <b>Ceramet Solar Pty Ltd.</b>	Description: <b>Carport Assembly 4 x 3 Landscape</b>	
Finish:			Drawn by: <b>H.NATIVIDAD</b>	Drawn Date: <b>02/02/2017</b>
Unless Otherwise Stated: Linear Tol.: <b>±0.2</b> , Angular Tol.: <b>0°15'</b> Surface Finish: <b>0.8µm</b> All Dimensions: <b>mm</b>		Document Type: <b>FOR QUOTATION USE ONLY</b>	Checked/Approved by: <b>S.MAAN</b>	Checked/Approved Date: <b>02/02/2017</b>
Drawing Scale: <b>1:150</b>		<b>Company Confidential</b>	Part Number: <b>SCPRT-00013</b>	
Approx Weight: 5292.32 Kg	Drawing Produced In Accordance With: <b>BS8888</b>	Legal Owner: <b>CERAMET SOLAR</b> 8 WILTSHIRE LANE, DELACOMBE VICTORIA 3356	Drawing Number: <b>CS-201600013</b>	Sheet: <b>3 of 5</b>
Projection Method: <b>THIRD ANGLE</b>	Sheet Size: <b>A3</b>		Revision: <b>B</b>	



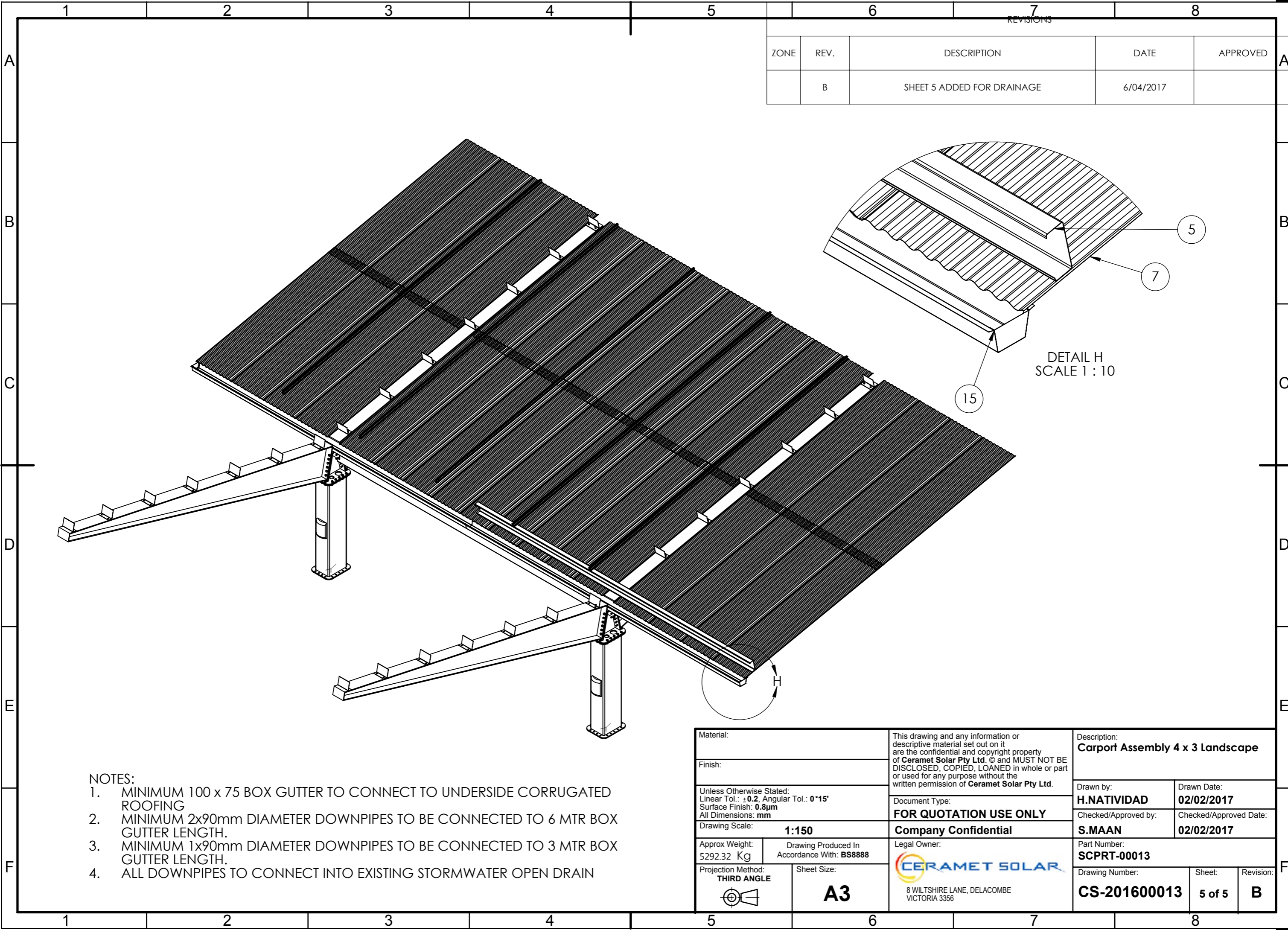
REVISIONS				
ZONE	REV.	DESCRIPTION	DATE	APPROVED
	B	SHEET 5 ADDED FOR DRAINAGE	6/04/2017	

DETAIL D  
SCALE 1 : 10

DETAIL E  
SCALE 1 : 10

- NOTES:
- PANEL SUPPORT FRAMES TO BE MARKED OUT AND FASTENED USING SELF PIERCING RIVITS. MIN 2QTY PER PURLIN ATTACHMENT
  - TORQUE ALL FASTENERS TO MANUFACTURERS SPECIFICATION
  - PV PANELS WILL SLIDE INTO CHANNEL AND BE FIXED WITH CUSTOM CLIPS OR SELF TAPPING SCREWS

Material:		This drawing and any information or descriptive material set out on it are the confidential and copyright property of <b>Ceramet Solar Pty Ltd.</b> © and MUST NOT BE DISCLOSED, COPIED, LOANED in whole or part or used for any purpose without the written permission of <b>Ceramet Solar Pty Ltd.</b>		Description: <b>Carport Assembly 4 x 3 Landscape</b>	
Finish:		Document Type: <b>FOR QUOTATION USE ONLY</b>		Drawn by: <b>H.NATIVIDAD</b>	
Unless Otherwise Stated: Linear Tol.: ±0.2, Angular Tol.: 0°15' Surface Finish: 0.8µm All Dimensions: mm		Company Confidential		Drawn Date: <b>02/02/2017</b>	
Drawing Scale: <b>1:150</b>		Legal Owner: <b>CERAMET SOLAR</b> 8 WILTSHIRE LANE, DELACOMBE VICTORIA 3356		Checked/Approved by: <b>S.MAAN</b>	
Approx Weight: 5292.32 Kg		Drawing Produced In Accordance With: <b>BS8888</b>		Checked/Approved Date: <b>02/02/2017</b>	
Projection Method: <b>THIRD ANGLE</b>		Sheet Size: <b>A3</b>		Part Number: <b>SCPRT-00013</b>	
				Drawing Number: <b>CS-201600013</b>	
				Sheet: <b>4 of 5</b>	
				Revision: <b>B</b>	



REVISIONS				
ZONE	REV.	DESCRIPTION	DATE	APPROVED
	B	SHEET 5 ADDED FOR DRAINAGE	6/04/2017	

DETAIL H  
SCALE 1 : 10

NOTES:

1. MINIMUM 100 x 75 BOX GUTTER TO CONNECT TO UNDERSIDE CORRUGATED ROOFING
2. MINIMUM 2x90mm DIAMETER DOWNPIPES TO BE CONNECTED TO 6 MTR BOX GUTTER LENGTH.
3. MINIMUM 1x90mm DIAMETER DOWNPIPES TO BE CONNECTED TO 3 MTR BOX GUTTER LENGTH.
4. ALL DOWNPIPES TO CONNECT INTO EXISTING STORMWATER OPEN DRAIN

Material:		This drawing and any information or descriptive material set out on it are the confidential and copyright property of <b>Ceramet Solar Pty Ltd.</b> © and MUST NOT BE DISCLOSED, COPIED, LOANED in whole or part or used for any purpose without the written permission of <b>Ceramet Solar Pty Ltd.</b>	Description: <b>Carport Assembly 4 x 3 Landscape</b>	
Finish:			Drawn by: <b>H.NATIVIDAD</b>	Drawn Date: <b>02/02/2017</b>
Unless Otherwise Stated: Linear Tol.: ±0.2, Angular Tol.: 0°15' Surface Finish: 0.8µm All Dimensions: mm		Document Type: <b>FOR QUOTATION USE ONLY</b>	Checked/Approved by: <b>S.MAAN</b>	Checked/Approved Date: <b>02/02/2017</b>
Drawing Scale: <b>1:150</b>		<b>Company Confidential</b>	Part Number: <b>SCPRT-00013</b>	
Approx Weight: 5292.32 Kg	Drawing Produced In Accordance With: <b>BS8888</b>	Legal Owner: <b>CERAMET SOLAR</b> 8 WILTSHIRE LANE, DELACOMBE VICTORIA 3356	Drawing Number: <b>CS-201600013</b>	Sheet: <b>5 of 5</b>
Projection Method: <b>THIRD ANGLE</b>	Sheet Size: <b>A3</b>		Revision: <b>B</b>	